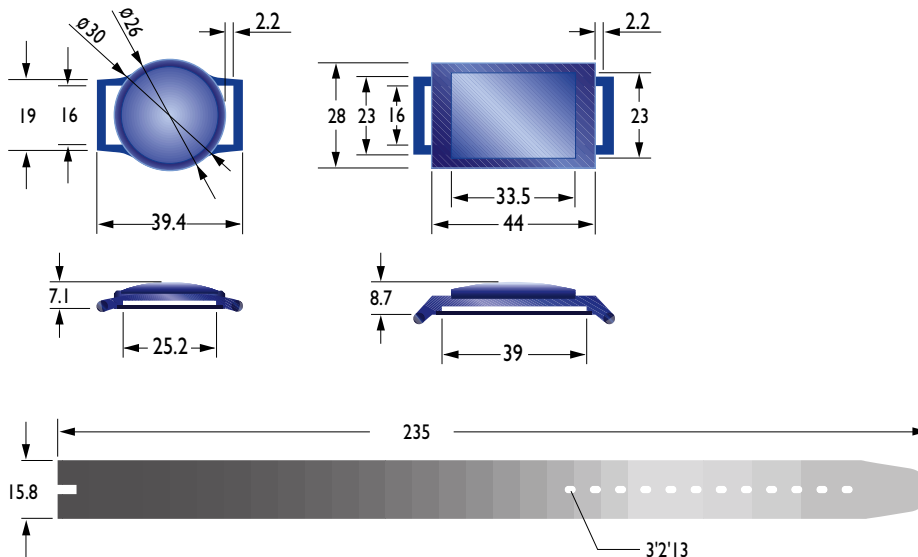


WR8866,8867 RFID Wristband Specification

Model No.	WR8866	WR8867
Reading Distance	60mm	60mm
Base on GK4001 chip, with EM9917 reader		
Operating temperature	-40°C to 70°C	-40°C to 70°C
Storage temperature	-40°C to 80°C	-40°C to 80°C
Material	PC	PC
Water proof	Y	Y
Technology		
GK4001 (125KHz, 64bit, R/O)	Y	Y
H4102 (125KHz, 64bit, R/O)	Y	Y
I-Code SLI (13.56MHz, 1024bit, R/W)	Y	Y
Mifare S50 (13.56MHz, 1KByte, R/W)	Y	Y
Temic E5557 (125KHz, 330bit, R/W)	Y	Y
Hitag 1 (125KHz, 2048bit, R/W)	Y	Y
Hitag 2 (125KHz, 256bit, R/W)	Y	Y
Legic 256 (13.56MHz, 256Byte, R/W)	Y	Y

Dimension: (unit: mm)



Application:

- Membership expenditure management such as: Health Club ,Golf Club or Swimming Club members.
- Membership rental management such as yachting, sports, etc.