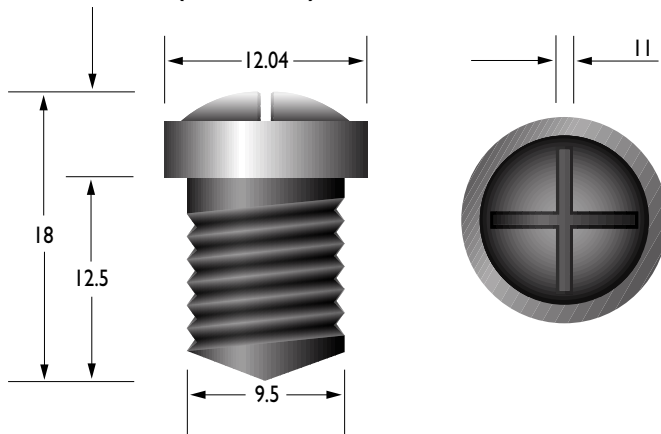


SR815 Screw RFID Tag Specification

SR-815 Screw Tag is a very practical and multiple usage purpose FRID Tag that can fix on any type of woods, boards, plastic products and PCB ...etc to do RFID Tracking management.

Model No.	SR815
Length / diameter	18mm/9.5mm
Reading Distance	50mm
Base on GK4001 chip, with EM9917 Reader	
Operating temperature	-40°C to 70°C
Storage temperature	-40°C to 80°C
Material	PC
Technology	
GK4001 (125KHz, 64bit, R/O)	Y
H4102 (125KHz, 64bit, R/O)	Y
I-code (13.56MHz, 512bit, R/W)	Y
Temic E5557 (125KHz, 256bit, R/W)	Y
Hitag1 (125KHz, 2048bit, R/W)	Y
Hitag2 (125KHz, 256bit, R/W)	Y

Dimension: (unit: mm)



Application:

- Timber Wooden products tracking management.
- Forestry management.
- Plastic products tracking management such as plastic case, pipe...etc.
- PCB Board electronics products checking and tracking management.

